



SPM-D10/YB

Three Phase Synchronizer

APPLICATIONS

The SPM-D10/YB is a microprocessor-based synchronizer designed for use on three phase AC generators equipped with Woodward or other compatible speed controls and automatic voltage regulators. The SPM-D10/YB synchronizer provides automatic frequency and voltage matching using discrete output bias signals.

DESCRIPTION

Synchronizing

- Slip frequency synchronization with voltage matching
- Three-phase sensing of generator and bus (adjustable measurement three-phase or two-phase)
- Synchro-check functions possible
- Synchronization time monitoring
- A discrete input can utilize an adjustable closure relay for slip synchronizing or dead bus closure

Isolated operation

- Frequency control
- Voltage control

Dead bus operation

- Closing of CB on demand
- Dead bus check adjustable for any application
 - a) System 1 live – system 2 dead
 - b) System 1 dead – system 2 live
 - c) System 1 dead – system 2 dead

FURTHER SPM-D SYNCHRONIZERS

- The SPM-D10 Series provides two-phase generator and bus measurement refer to product specifications 37297 for more information
- The SPM-D11 Series provides load/var sharing refer to product specifications 37292 for more information
- The SPM-D21 Series provides synchronizing for two circuit breakers and load control refer to product specifications 37293 for more information

DESCRIPTION

Control outputs

- Discrete raise/lower for speed
- Discrete raise/lower for voltage

Operating Features

- Two-line Liquid Crystal display for operation and alarm indication
- Synchroscope
- Indication of control activity and breaker state
- Configuration directly
- English or German language adjustable
- Blocking of configuration by digital input
- Check of parameter change by software sealing function

- Synchronization for one circuit breaker
- Frequency and voltage matching
- Discrete raise/lower control output
- Digital display of generator and bus values
- Front panel configurable
- Wide range power supply available
- CE marked
- UL/cUL Listed

SPECIFICATIONS (for more see specific manuals)

Accuracy Class 1

Power supply [YB Package] 24 Vdc (+/-25 %)
 [NYB Package] 90 to 250 Vac/dc

Intrinsic consumption max. 10 W

Ambient temperature -20 to 70 °C
 [NYB Package] -20 to 60 °C

Ambient humidity 95 %, non-condensing

Voltage Rated λ/Δ : [1] 66/115 Vac or [4] 230/400 Vac
 Maximum value (V_{max}): [1] 150 Vac or [4] 300 Vac
 Rated voltage $V_{ph-ground}$: [1] 150 Vac or [4] 300 Vac
 Rated surge voltage: [1] 2.5 kV or [4] 4.0 kV

Measuring frequency 40 to 70 Hz

Linear measuring range up to $1.3 \times V_{rated}$

Input resistance [1] 0.21 M Ω , [4] 0.696 M Ω

Max. power consumption per path < 0.15 W

Discrete inputs isolated

Input range max. 250 Vac or dc

Input resistance approx. 68 k Ω

Relay outputs isolated

Contact material AgCdO

Load (GP) 2.00 Aac@250 Vac
 2.00 Adc@24 Vdc / 0.36 Adc@125 Vdc / 0.18 Adc@250 Vdc

Pilot duty (PD) 1.00 Aac@250 Vac
 1.00 Adc@24 Vdc / 0.22 Adc@125 Vdc / 0.10 Adc@250 Vdc

Housing Type APRANORM DIN 43 700

Dimensions 144x72x122 mm

Front cutout 138[+1.0]x67[+0.7] mm

Connection screw/plug terminals depending
 on connector 1.5 mm² or 2.5 mm²

Front insulating surface

Protection system with correct installation

Front IP42
 (sealed IP54; gasket kit = P/N 8923-1037)

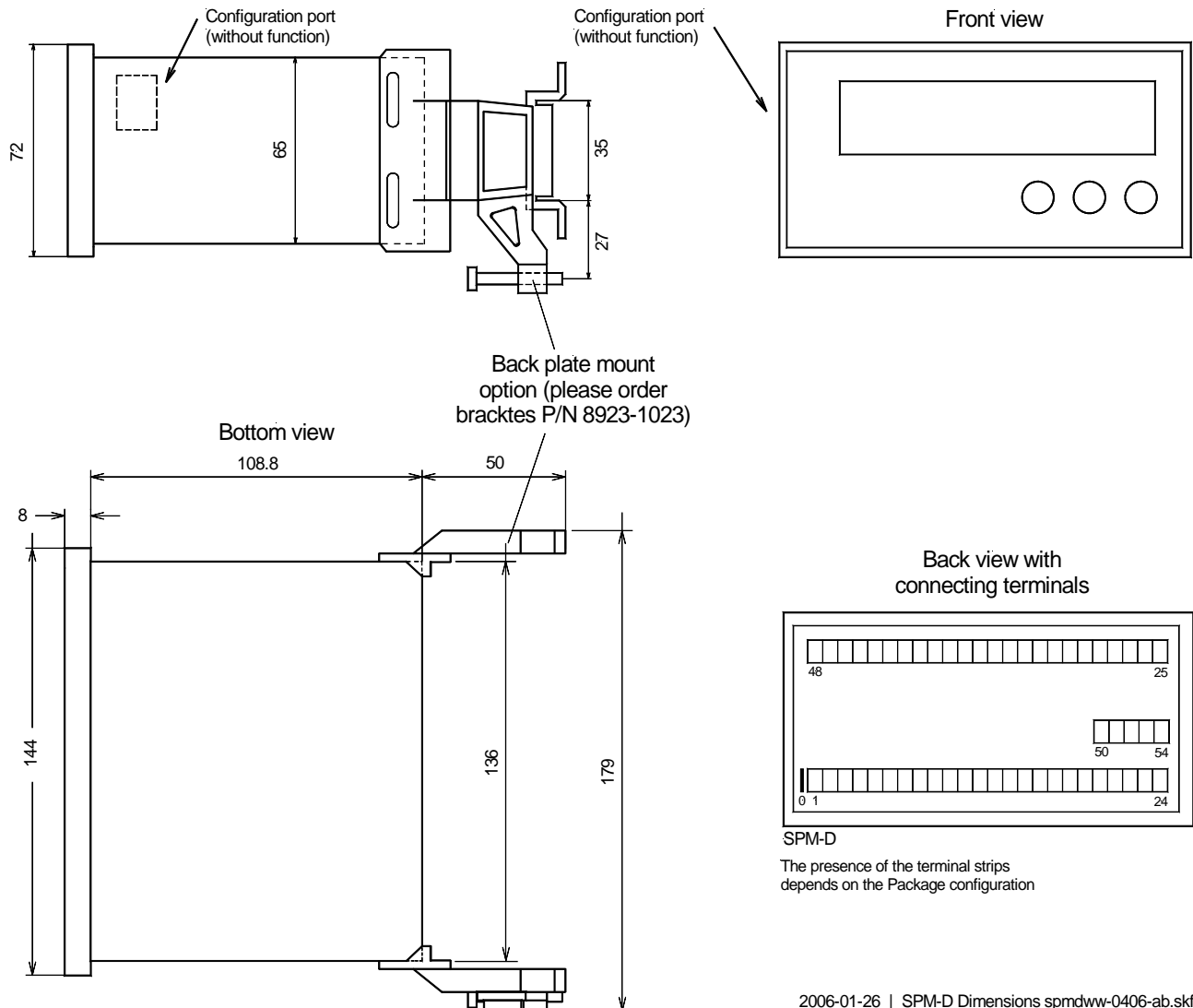
Back IP21

Weight approx. 800 g

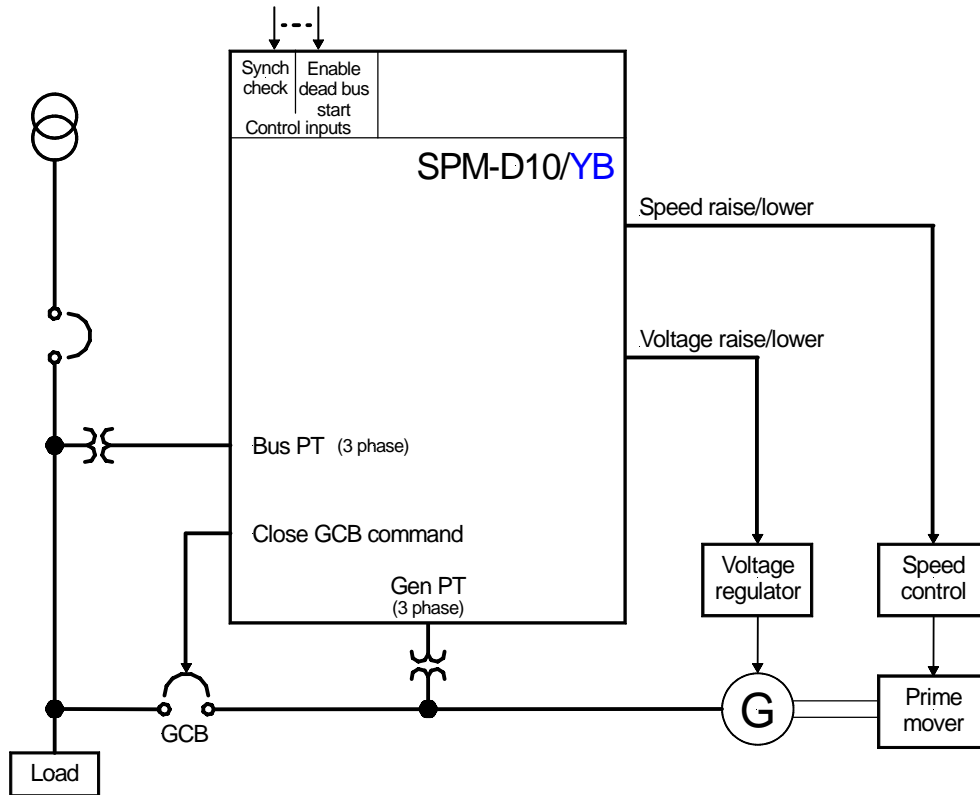
Disturbance test (CE) tested according to applicable EN guidelines

Listings UL/cUL listed (voltages up to 300 Vac)

DIMENSIONS

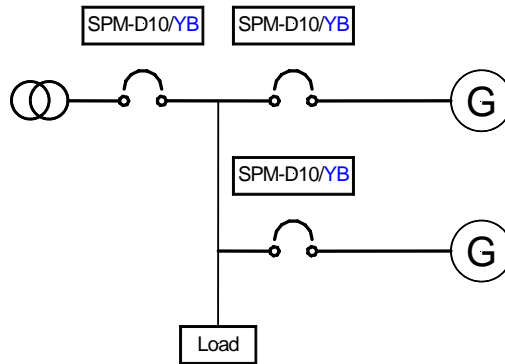


APPLICATION DIAGRAM

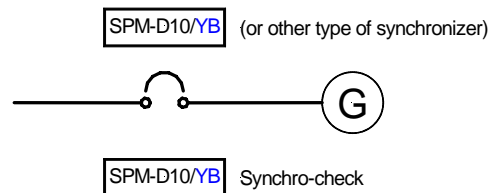


APPLICATION EXAMPLES

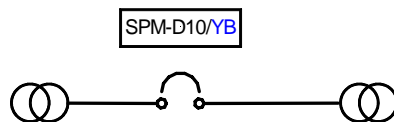
- generator synchronizer or mains synchronizer



- synchronizing with additional synchro-check



- power station: slip synchronizer with multiple dead bus operation



International
 Woodward
 PO Box 1519
 Fort Collins CO, USA
 80522-1519
 1000 East Drake Road
 Fort Collins CO 80525
 Ph: +1 (970) 482-5811
 Fax: +1 (970) 498-3058

Europe
 Woodward Governor Company
 Leonhard-Reglerbau GmbH
 Handwerksstrasse 29
 70565 Stuttgart, Germany
 Ph: +49 (0) 711 789 54-0
 Fax: +49 (0) 711 789 54-100

Distributors & Service
 Woodward has an international network of distributors and service facilities. For your nearest representative, call the Fort Collins plant or see the Worldwide Directory on our website.

Corporate Headquarters
 Rockford IL, USA
 Ph: +1 (815) 877-7441

www.woodward.com/power

For more information contact:

Subject to technical modifications.

This document is distributed for informational purposes only. It is not to be construed as creating or becoming part of any Woodward Governor Company contractual or warranty obligation unless expressly stated in a written sales contract.

We appreciate your comments about the content of our publications. Please send comments including the document number below to stgt-doc@woodward.com

© **Woodward Governor Company**

All Rights Reserved

37298C - 06/3/S

FEATURES OVERVIEW

SPM-D10YB Synchronizer #1	SPM-D10YB	SPM D10NYB
Measuring/Display		
Generator voltage, 3/2 phase	✓	✓
Busbar voltage, 3/2 phase	✓	✓
Control		
Breaker	1	1
Synchronization, 3/2 phase	✓	✓
Enhanced dead bus start functionality #2	✓	✓
Isolated operation	✓	✓
Controller		
Discrete raise/lower: speed	✓	✓
Discrete raise/lower: voltage	✓	✓
Listings/Approvals		
CE marked	✓	✓
UL/cUL listed	✓	✓
Power supply		
24 Vdc	✓	
Wide range 90 to 250 Vac/dc		✓
Manuals		
	English	37134
	German	GR37134
Part numbers P/N		
	Measuring inputs 100 Vac	5448-906
	Measuring inputs 400 Vac #3	8440-1021
		8440-1434
		8440-1435

- #1 Information about all other SPM-D10 models can be found in the separate product specs 37297
- #2 Black start (closing to de-energized second side of a breaker for following conditions):
 - dead system 1 - live system 2
 - live system 1 - dead system 2
 - dead system 1 - dead system 2
- #3 All units with 400V measuring inputs can also be used for 100V system voltage